

## Specifications

MODELS	GRC™-12	
MEASUREMENTS	Metric	US
Working height*	5.66 m	18 ft
Platform height	3.66 m	12 ft
<b>A B</b> Platform dimensions (length x width)		
Ext Platform dimensions - retracted	0.97 x 0.75 m	38 x 29.5 in
Ext Platform dimensions - extended	1.40 x 0.75 m	55 x 29.5 in
<b>C</b> Height - stowed	1.70 m	67 in
<b>D</b> Length - stowed	1.37 m	4 ft 5.75 in
<b>E</b> Width	0.80 m	2 ft 7.5 in
<b>F</b> Ground clearance - centre	0.06 m	2.5 in

PRODUCTIVITY		
Lift capacity	227 kg	500 lbs
Lift capacity - extension deck	113 kg	250 lbs
Drive speed - stowed	4.0 km/h	2.5 mph
Drive speed - raised	0.8 km/h	0.5 mph
Gradeability**	30%	30%
Turning radius - inside	zero	zero
- outside	1.42 m	4 ft 7 in
Raise / lower speed	12 / 16 sec	12 / 16 sec
Controls	24V DC proportional	
Tyres - solid non-marking	25 x 8 x 20 cm	10 x 3 x 8 in

POWER		
Power source	24V (four 6V 225 Ah batteries)	
Hydraulic system capacity	8.33 L	2.2 gal

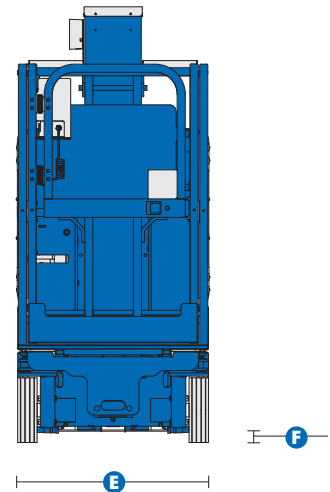
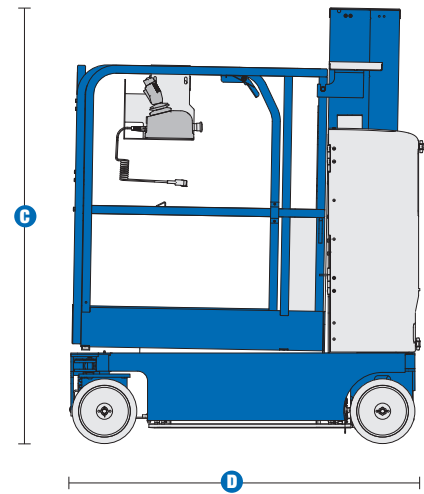
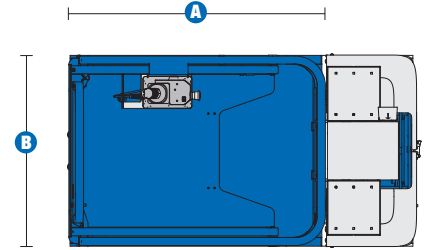
WEIGHT***		
	948 kg	2,090 lbs

**STANDARDS COMPLIANCE** ANSI A92.6, CSA B354.2, CE Compliance, AS 1418.10

\* The metric equivalent of working height adds 2 m to platform height. U.S. adds 6 ft to platform height.

\*\* Gradeability applies to driving on slopes. See operator's manual for details regarding slope rating.

\*\*\* Weight will vary depending on options and/or country standards.



## Features

### STANDARD FEATURES

#### MEASUREMENTS

##### GRC™-12

- 5.66 m (18 ft) working height
- 3.66 m (12 ft) platform height
- Up to 227 kg (500 lbs) lift capacity

#### PRODUCTIVITY

- Steel platform and extension deck with swing gate
- Auxiliary platform lowering
- Low 0.39 m (15.5 in) platform entry height
- Steel tube-in-tube mast system
- Compact base 0.75 x 1.37 m (29.5 x 53.75 in)
- Ground clearance 0.06 m (2.5 in) (stowed)
- Fully proportional lift and drive controls
- Battery charge indicator
- Onboard diagnostic system
- Work station trays
- Tilt alarm
- Zero inside turning radius
- Dual wheel brakes
- Hydraulic brake release
- Pothole protection
- Hinged rear ABS covers for easy access to all major electrical and hydraulic components
- Tie down attachment points
- Overhead crane attachment point
- Large forklift pockets access
- Non-marking solid tyres
- Dual flashing beacons
- Motion alarm
- Automotive horn
- Descent alarm

#### POWER

- Automatic 25 amp battery charger
- 24 V (four 6 V 225 Ah batteries)

### OPTIONS & ACCESSORIES

#### PRODUCTIVITY

- Fluorescent tube caddy
- Wheel covers

#### POWER OPTIONS

- Maintenance-free batteries
- 240 V power to platform



### Genie Australia – Toll free number 1800 788 633

**Brisbane (Head Office)**  
33 Kimberley Street  
Darra QLD 4076

**Sydney**  
74 Glendenning Road  
Glendenning NSW 2761

**Melbourne**  
374 Hammond Road  
Dandenong VIC 3175

**Perth**  
83 Bannister Road  
Canning Vale WA 6155

### Genie United States Distributed by:

18340 NE 76th Street  
P.O. Box 97030  
Redmond, Washington  
98073-9730

Effective Date: April, 2009. Product specifications and prices are subject to change without notice or obligation. The photographs and/or drawings in this document are for illustrative purposes only. Refer to the appropriate Operator's Manual for instructions on the proper use of this equipment. Failure to follow the appropriate Operator's Manual when using our equipment or to otherwise act irresponsibly may result in serious injury or death. The only warranty applicable to our equipment is the standard written warranty applicable to the particular product and sale and we make no other warranty, express or implied. Products and services listed may be trademarks, service marks or trade-names of Terex Corporation, Genie Industries, Inc. and/or their subsidiaries in the U.S.A. and many other countries and all rights are reserved. Terex is a Registered Trademark of Terex Corporation in the U.S.A. and many other countries. Genie is a Registered Trademark of Genie Industries, Inc. in the U.S.A. and many other countries. Genie is a Terex Company. © 2009 Terex Corporation.